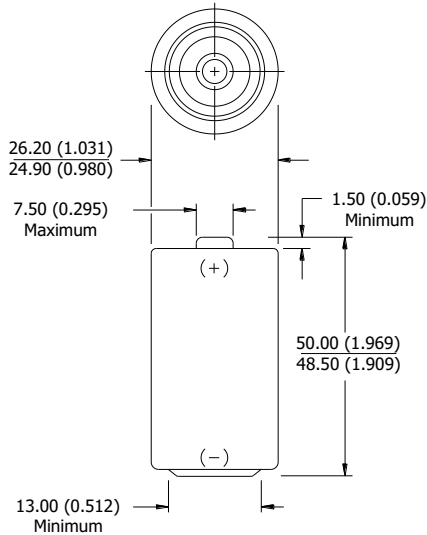


ENERGIZER EN93
Industrial



Industry Standard Dimensions

mm (inches)

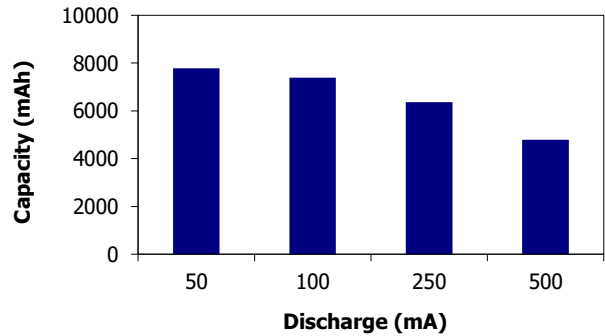


General Information

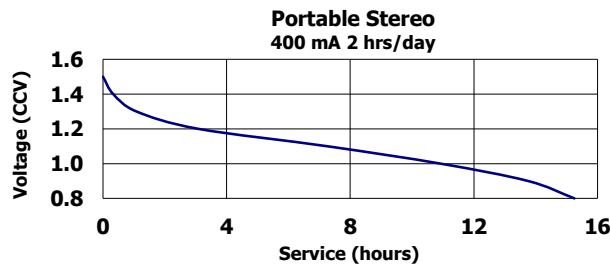
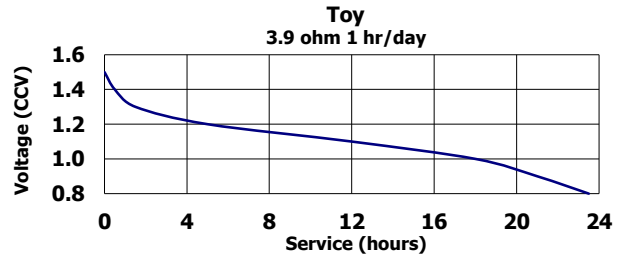
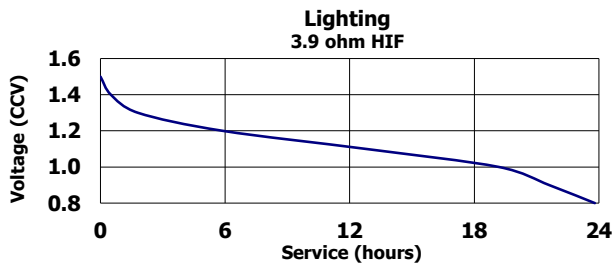
| | |
|-------------------------|--|
| Classification: | Alkaline |
| Chemical System: | Zinc-Manganese Dioxide (Zn/MnO ₂) No added mercury or cadmium |
| Designation: | ANSI-14A, IEC-LR14 |
| Nominal Voltage: | 1.5 volts |
| Nominal IR: | 150 to 300 milliohms (fresh) |
| Operating Temp: | -18°C to 55°C (0°F to 130°F) |
| Typical Weight: | 66.2 grams (2.3 oz.) |
| Typical Volume: | 26.9 cubic centimeters (1.6 cubic inch) |
| Jacket: | Plastic Label |
| Shelf Life: | 10 years at 21°C |
| Terminal: | Flat Contact |

Milliamp-Hours Capacity

Continuous discharge to 0.8 volts at 21°C



Industry Standard Tests (21°C)



Important Notice

This data sheet contains typical information specific to products manufactured at the time of its publication.
Contents herein do not constitute a warranty and are for reference only.