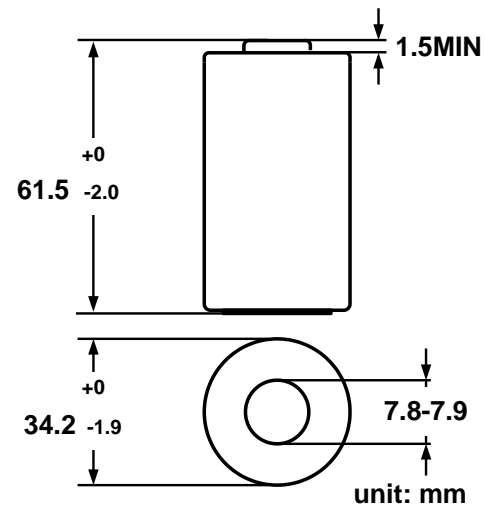


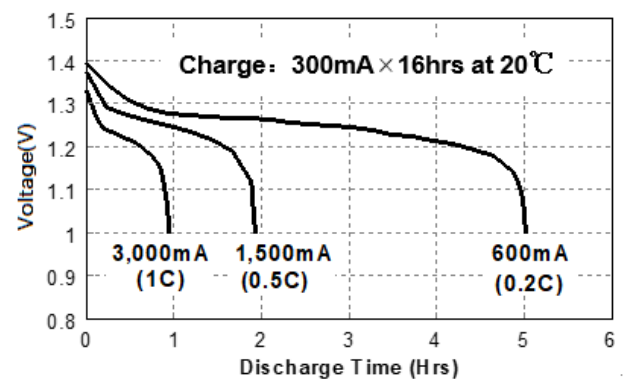
## DATA SHEET

Type	Rechargeable Nickel Metal Hydride Cylindrical Cell
Nominal Dimension (with Sleeve)	Diameter = 34.2mm Height= 61.5mm
Applications	Recommended discharge current 300mA to 9A
Nominal Voltage	1.2V
Capacity	Rated: 3000mAh Typical: 3100mAh When discharged at 600mA to 1.0V at 20°C
Charging Condition	300mA for 16 hrs at 20°C
Charge Retention	80% of rate capacity after cell storage at 20°C for 24months When discharged at 600mA to 1.0V at 20°C
Fast Charge	1500mA to 3000mA (0.5 to 1C) charge termination control recommended control parameters: - $\Delta V$ : 0-5mV DT/dt : 0.8°C/min (0.5 to 0.9C) 0.8 - 1°C/min (1C) TCO : 45 - 55°C Timer : 105% nominal input (for ref. only)
Service Life	>1000 cycles (IEC61951-2(2017)-7.5.1.2) >300 cycles (IEC61951-2(2017)-7.5.1.4)
Continuous Overcharge	300mA maximum current for 1 year. No conspicuous deformation and/or leakage.
Weight	70g
Internal Resistance	Average 40m $\Omega$ upon fully charged (Max. 45m $\Omega$ ) at 1000Hz
Max. Charge Voltage	1.5V at 300mA charging
Ambient Temperature Range	Standard Charge: 0 to 45°C Fast charge: 10 to 45°C Discharge : -20 to 50°C Storage : -20 to 35°C Storage (1week) : -20 to 60°C

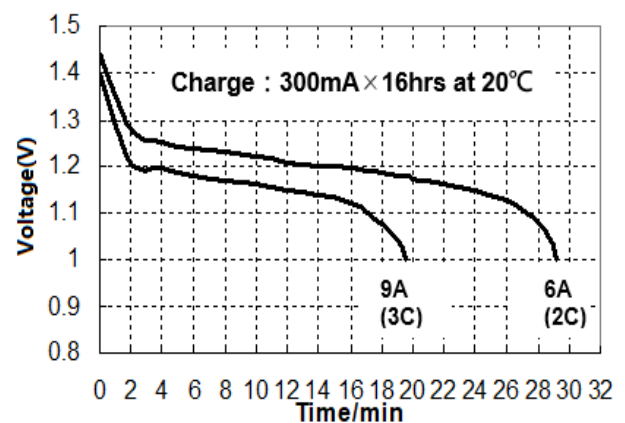
Model No.: GP300DHC



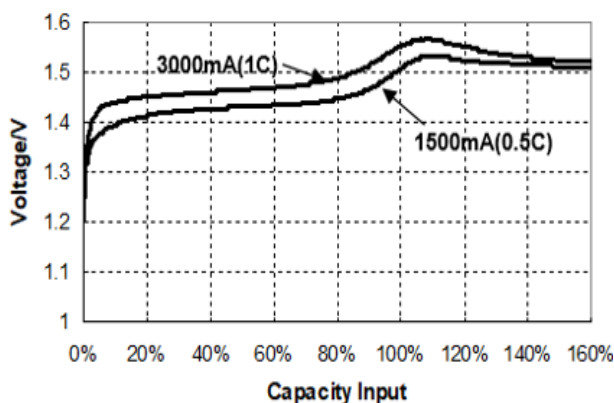
### Low rate discharge



### High rate discharge



### Fast charge (charge control required)



The above information is generally descriptive only and is not intended as guarantee or warranty. Cell and battery specifications are subject to change without notice. All descriptions or warranties are contained solely in specification sheets accompanying outside those described in this document.

MRS6248 rev.03