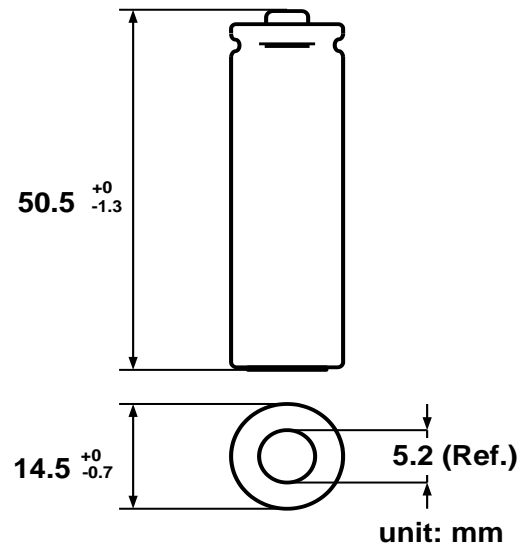


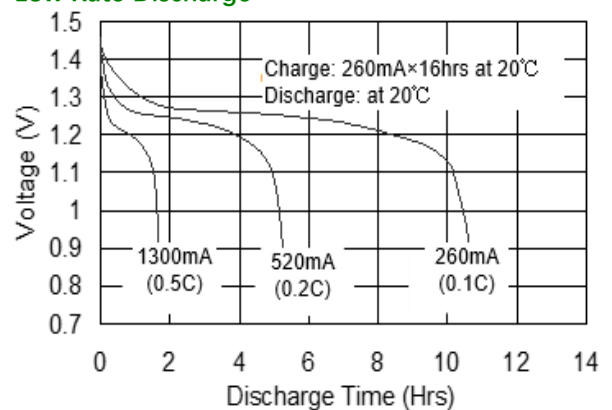
DATA SHEET

Model No.: GP270AAHCE

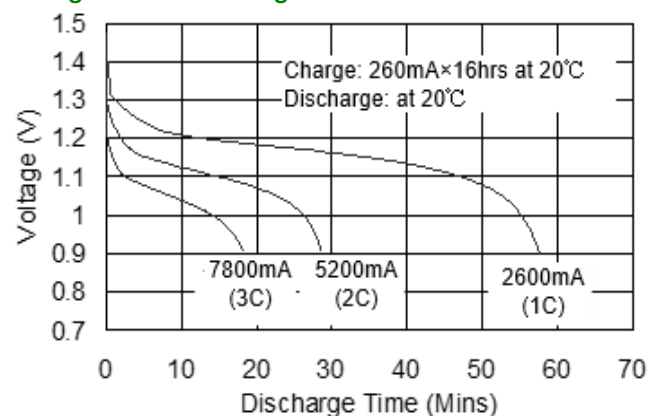
Type	Rechargeable Nickel Metal Hydride Cylindrical Cell
Recycled material content	Rechargeable Nickel Metal Hydride Battery Made with Minimum 10% Recycled materials
Nominal Dimension (with Sleeve)	Diameter = 14.5mm Height= 50.5mm
Applications	Recommended discharge current 260 to 7800mA
Nominal Voltage	1.2V
Capacity	Rated: 2600mAh Typical: 2650mAh When discharged at 520mA to 1.0V at 20°C
Charge Retention	70% of nominal capacity after cell storage at 20°C for 6months,50% of nominal capacity after cell storage at 20°C for 1year When discharged at 520mA to 1.0V at 20°C
Charging Condition	260mA for 16 hrs at 20°C
Fast Charge	1300mA to 2600mA (0.5 to 1C) charge termination control recommended control parameters: -ΔV : 0-5mV DT/dt : 0.8°C/min (0.5 to 0.9C) 0.8 - 1°C/min (1C) TCO : 45 - 50°C Timer : 100% nominal input (for ref. only)
Service Life	>300 cycles (IEC 2017 - 7.5.1.2) >100 cycles (IEC 2017 - 7.5.1.4)
Continuous Overcharge	260mA maximum current for 1 year. No conspicuous deformation and/or leakage
Weight	31.0g
Internal Resistance	Average 20mΩ upon fully charged (Max.35mΩ) at 1000Hz
Max. Charge Voltage	1.5V at 260mA charging
Ambient Temperature Range	Standard Charge: 0 to 45°C Fast charge: 10 to 45°C Discharge: -20 to 50°C Storage: -20 to 35°C Storage(1week): -20 to 60°C



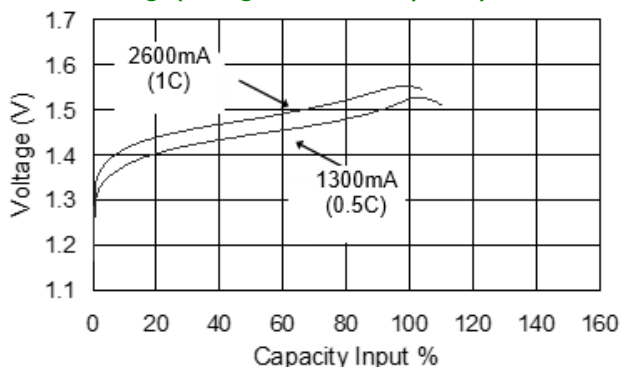
Low Rate Discharge



High Rated Discharge



Fast Charge (Charge control Required)



The above information is generally descriptive only and is not intended as guarantee or warranty. Cell and battery specifications are subject to change without notice. All descriptions or warranties are contained solely in specification sheets accompanying outside those described in this document.

MRS6395 rev.03