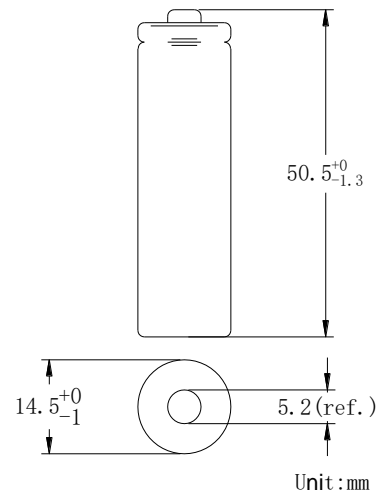


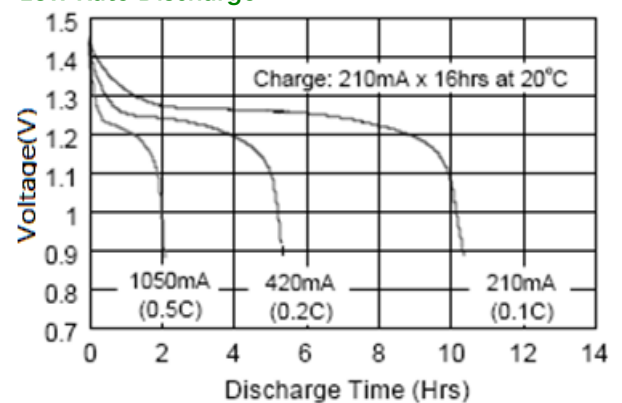
DATA SHEET

Model No.: **GP210AAHCE**

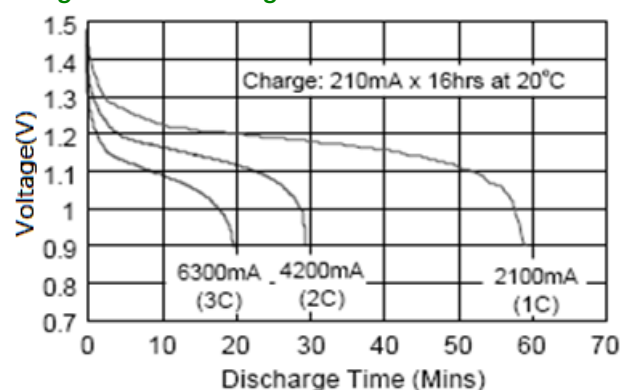
Type	Rechargeable Nickel Metal Hydride Cylindrical Cell
Recycled material content	Rechargeable Nickel Metal Hydride Battery Made with Minimum 10% Recycled materials
Nominal Dimension (with Sleeve)	Diameter = 14.5mm Height= 50.5mm
Applications	Recommended discharge current 210 to 6300mA
Nominal Voltage	1.2V
Capacity	Rated: 2100mAh Typical: 2150mAh When discharged at 420mA to 1.0V at 20°C
Charge Retention	80% of rated capacity after cell storage at 20°C for 12 months When discharged at 420mA to 1.0V at 20°C
Charging Condition	200mA for 16 hrs at 20°C
Fast Charge	1050mA to 2100mA (0.5 to 1C) charge termination control recommended control parameters: -ΔV : 0-5mV DT/dt : 0.8°C/min (0.5 to 0.9C) 0.8 - 1°C/min (1C) TCO : 45 - 50°C Timer : 105% nominal input (for ref. only)
Service Life	>500 cycles (IEC61951-2(2017)-7.5.1.2) >200 cycles (IEC61951-2(2017)-7.5.1.4)
Continuous Overcharge	210mA maximum current for 1 year. No conspicuous deformation and/or leakage
Weight	27.2g
Internal Resistance	Average 18mΩ upon fully charged (Max.28mΩ) at 1000Hz
Max. Charge Voltage	1.5V at 210mA charging
Ambient Temperature Range	Standard Charge: 0 to 45°C Fast charge: 10 to 55°C Discharge: -20 to 50°C Storage: -20 to 35°C Storage(1week): -20 to 60°C



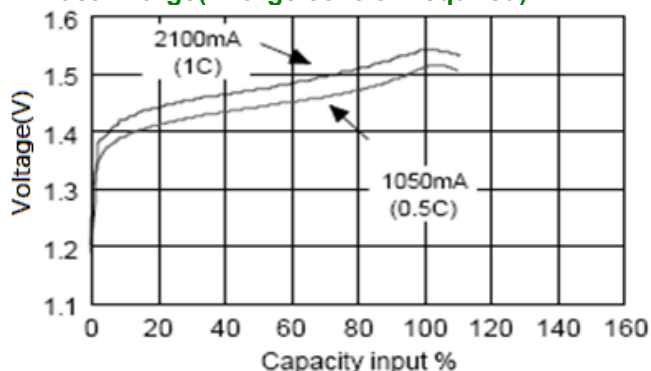
Low Rate Discharge



High Rated Discharge



Fast Charge (Charge control Required)



The above information is generally descriptive only and is not intended as guarantee or warranty. Cell and battery specifications are subject to change without notice. All descriptions or warranties are contained solely in specification sheets accompanying outside those described in this document.

MRS6394 rev.03