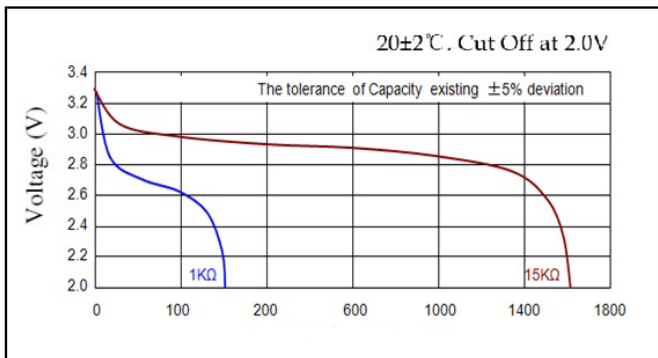


Description : Flat Lithium Battery
Chemical system : Lithium Manganese Dioxide
Nominal voltage : 3 Volts
Nominal capacity : 300mAh
Dimensions : Ø24.5mm x 3.0mm
Shelf life : 10 years at room temperature
Average weight : 4.3 grams
Temperature range : -20°C ~ 60°C

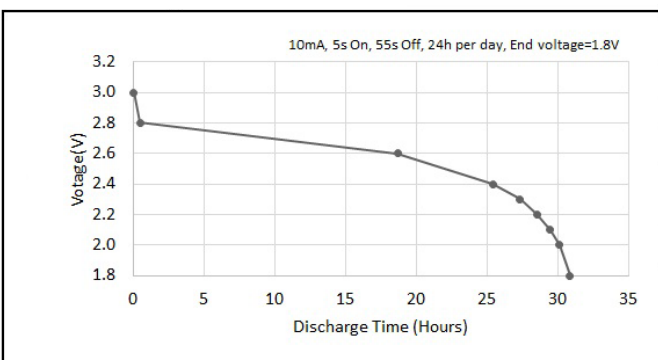
Cross References:

IEC	JIS	Panasonic	Varta
CR2430	CR2430	CR2430	CR2430

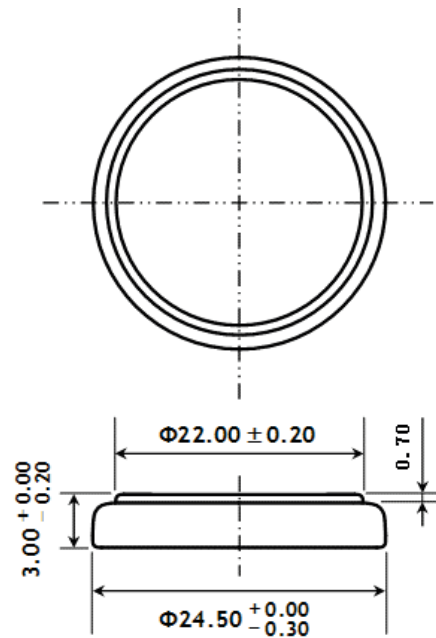
Discharge Characteristics



Pulse discharge characteristics



Model No.: **CR2430**



The information (subject to change without prior notice) contained in this document is for reference only and should not be used as a basis for product guarantee or warranty. For applications other than those described here, please consult your nearest GP Sales and Marketing Office or Distributors.