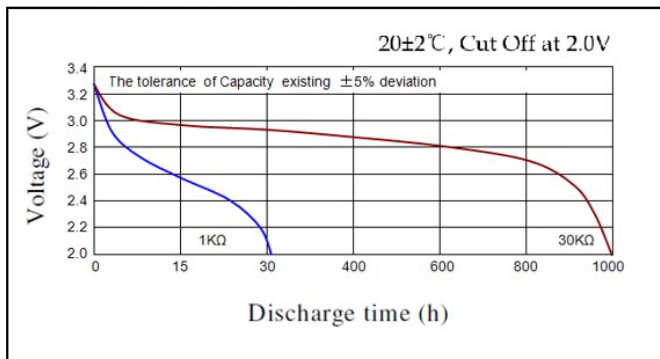


<b>Description</b>	: Flat Lithium Battery
<b>Chemical system</b>	: Lithium Manganese
<b>Nominal voltage</b>	: 3 Volts
<b>Nominal capacity</b>	: 90mAh
<b>Dimensions</b>	: Ø20mm x 1.6mm
<b>Shelf life</b>	: 10 years at room temperature
<b>Average weight</b>	: 1.5 grams
<b>Temperature range</b>	: -20°C ~60°C

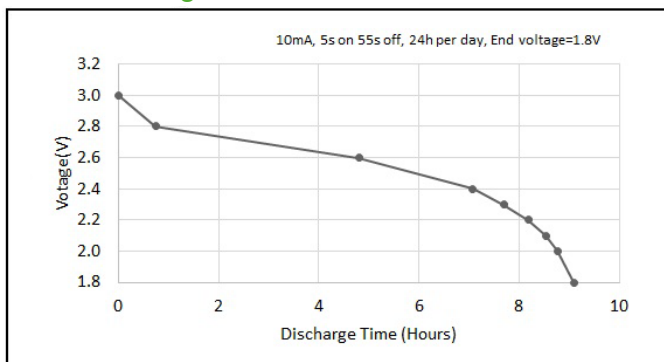
### Cross References:

IEC	JIS	Panasonic	Varta
CR2016	CR2016	CR2016	CR2016

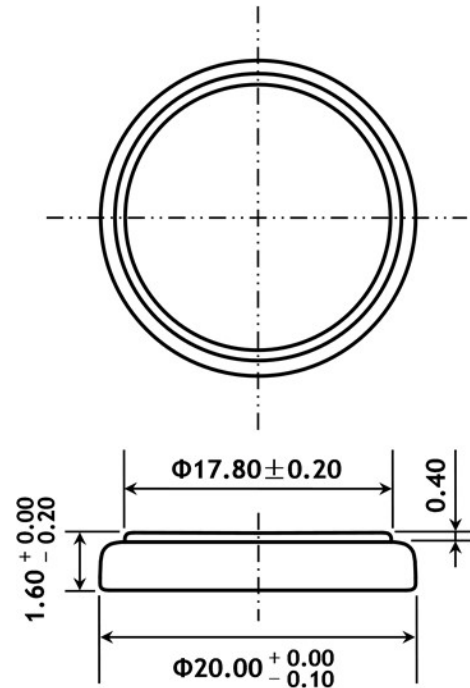
### Discharge Characteristics



### Pulse discharge characteristics



Model No.: **CR2016**



The information (subject to change without prior notice) contained in this document is for reference only and should not be used as a basis for product guarantee or warranty. For applications other than those described here, please consult your nearest GP Sales and Marketing Office or Distributors.