

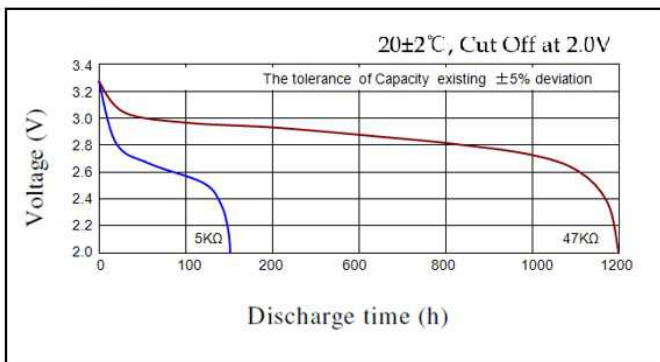
Model No.: **CR1620**

- Description** : Flat Lithium Battery
- Chemical system** : Lithium Manganese
- Nominal voltage** : 3 Volts
- Nominal capacity** : 75mAh
- Dimensions** : Ø16mm x 2.0mm
- Shelf life** : 10 years at room temperature
- Average weight** : 1.3 grams
- Operation temperature** : -20°C ~60°C
- Storage temperature** : 20 ± 2°C

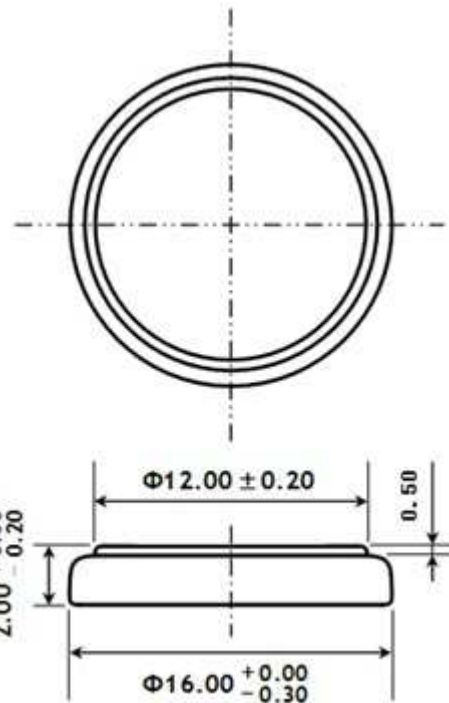
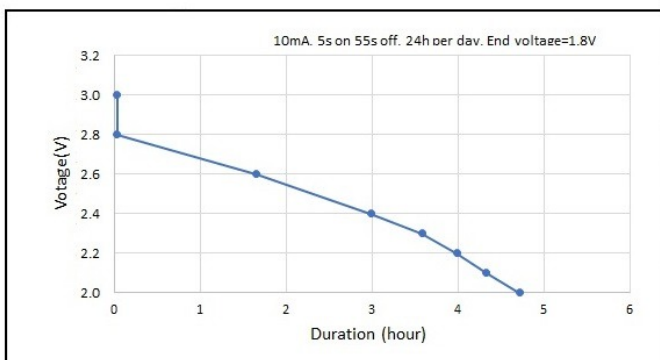
Cross References:

IEC	JIS	Panasonic	Varta
CR1620	CR1620	CR1620	CR1620

Discharge Characteristics



Pulse discharge characteristics



Dimension Drawing

The information (subject to change without prior notice) contained in this document is for reference only and should not be used as a basis for product guarantee or warranty. For applications other than those described here, please consult your nearest GP Sales and Marketing Office or Distributors.