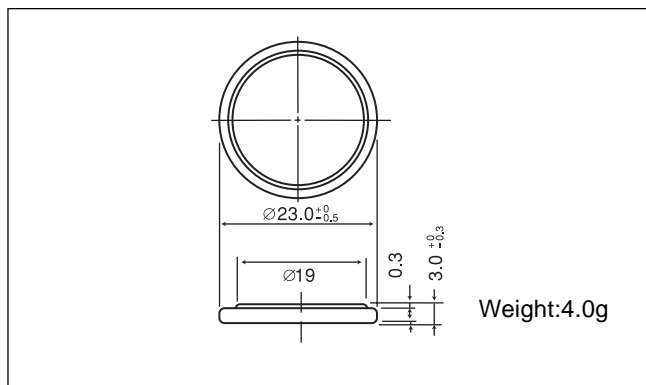


# Manganese Dioxide Lithium Coin Batteries: Individual Specifications

## CR2330

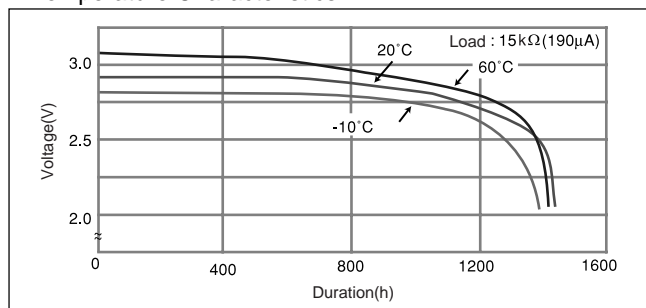
### ■ Dimensions(mm)



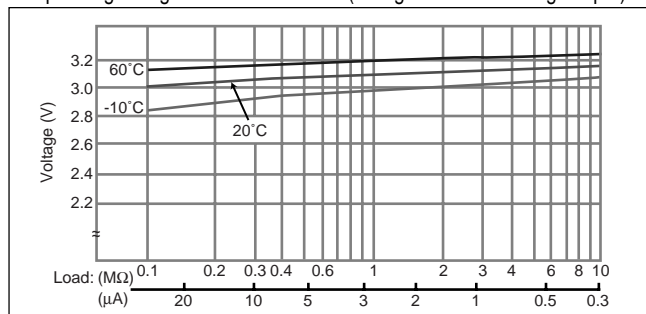
### ■ Specification

Nominal voltage (V)	3
Nominal capacity (mAh)	265
Continuous standard load (mA)	0.2
Operating temperature (C)	-30 ~ +60

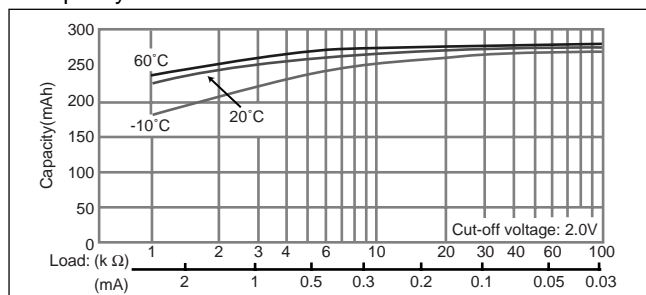
### ■ Temperature Characteristics



### ■ Operating voltage vs. load resistance (voltage at 50% discharge depth)

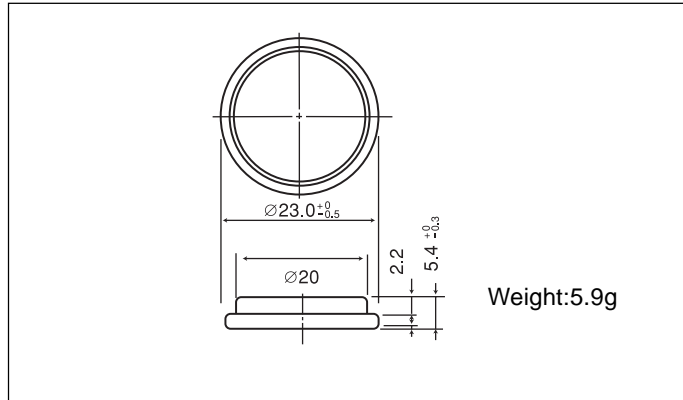


### ■ Capacity vs. load resistance



## CR2354

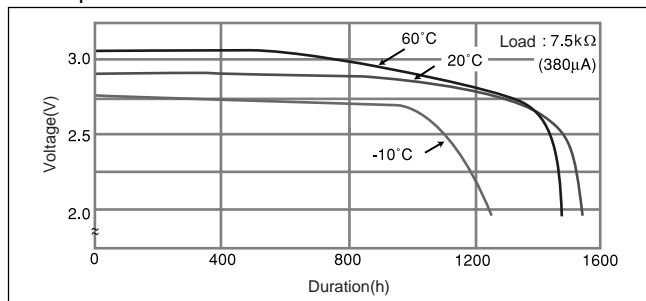
### ■ Dimensions(mm)



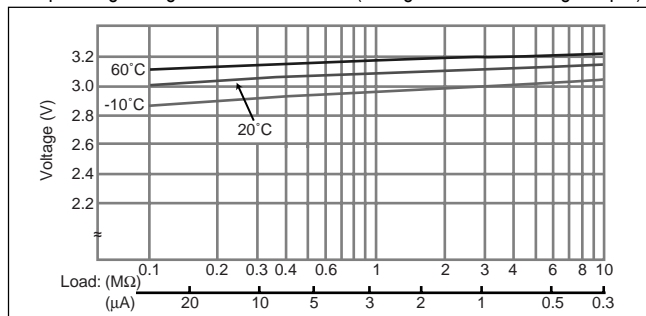
### ■ Specification

Nominal voltage (V)	3
Nominal capacity (mAh)	560
Continuous standard load (mA)	0.2
Operating temperature (C)	-30 ~ +60

### ■ Temperature Characteristics



### ■ Operating voltage vs. load resistance (voltage at 50% discharge depth)



### ■ Capacity vs. load resistance

