



saft

Range For MEMOGUARD

Technical Data's

Memoguard Range: Key Characteristics

- **Use the HB series sealed Ni-MH button (HB 80 & HB 250) for replacement of HB 70 & HB 210**
- **Rated discharge current: 0.2C**
- **Maximum continuous discharge current : 0.5C**
- **Temperature charge: -20°C to 65°C**
- **Temperature discharge: -20°C to 65°C**
- **Storage:**
 - 1 week -20°C to 65°C
 - until 6 months: -20°C to 45C
 - above 6 months : -20°C to 35°C

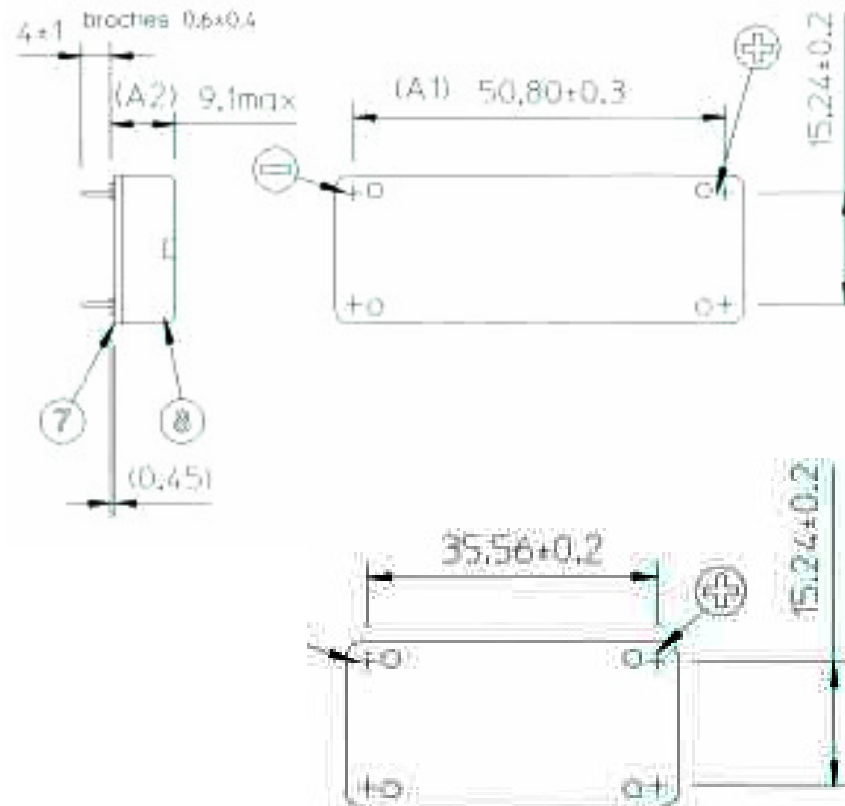
Memoguard Range: New References and Performances with HB 80 & HB 250 series

Original name	PN	Before 2003	PN	Name After 2003	PN	Name From 2006	PN
40 RF 204	125129	40 RF 206	787749	40 RF 207 (HB 70)	802494	40 RF 208 (HB 80)	802494
40 RF 304	125130	40 RF 306	787750	40 RF 307 (HB 70)	802448	40 RF 308 (HB 80)	802448
40 RF 210	125131	40 RF 217	787751	40 RF 221 (HB 210)	803007	40 RF 225 (HB 250)	803007
40 RF 310	125132	40 RF 317	787752	40 RF 321 (HB 210)	802775	40 RF 325 (HB 250)	802775
40 RH 204	127892	40 RH 206	787753	40 RH 207 (HB 70)	PC01650	40 RH 208 (HB 80)	PC01650
40 RH 304	126534	40 RH 306	787754	40 RH 307 (HB 70)	802820	40 RH 308 (HB 80)	802820
40 RM 210	131304	40 RM 217	787755	40 RM 221 (HB 210)	802821	40 RM 225 (HB 250)	802821
40 RM 310	131305	40 RM 317	787756	40 RM 321 (HB 210)	PC01653	40 RM 325 (HB 250)	PC01653
40 RM 410	131306	40 RM 417	787757	40 RM 421 (HB 210)	802843	40 RM 425 (HB 250)	802843
40 RM 322	131310	40 RM 328	789637	40 RM 332 (HB 320)	802562	CANCELLED	

Memoguard Range: New References and Performances with HB 80 & HB 250 series

Memoguard new type	New PN	Number of cells	Nominal voltage (V)	Rated capacity (mAh)	0 °C-60 °C	<0 °C
					Charge (mA)	
RF 208	802494	2	2,4	80	From 0,003 C to 0,033C	0,01C at 1,55Vmax/cell
RF 308	802448	3	3,6	80		
RF 225	803007	2	2,4	250		
RF 325	802775	3	3,6	250		
RH 208	PC01650	2	2,4	80		
RH 308	802820	3	3,6	80		
RM 225	802821	2	2,4	250		
RM 325	PC01653	3	3,6	250		
RM 425	802843	4	4,8	250		
RM 332	CANCELLED					

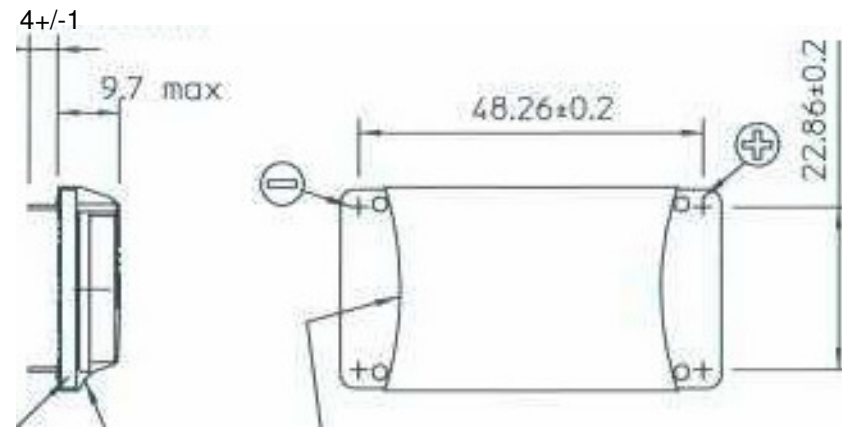
RF 208/308: Drawings



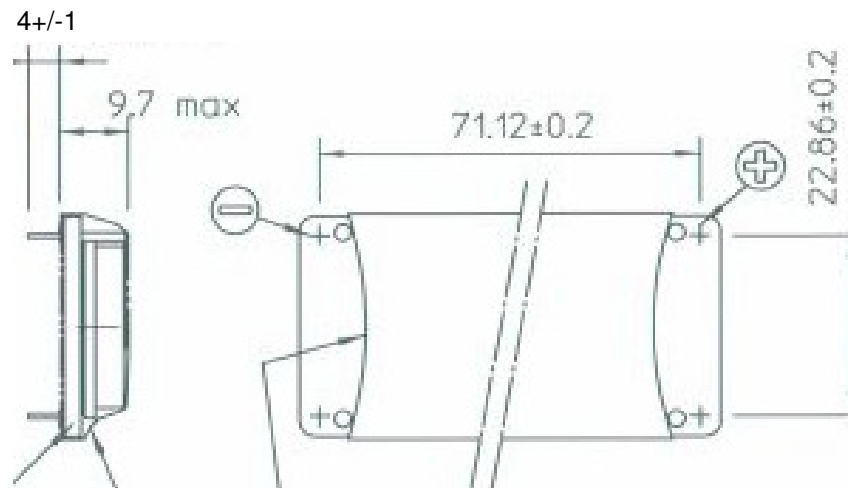
40 RF 308 ref 802448

40 RF 208 ref 802494

RF 225/325: Drawings

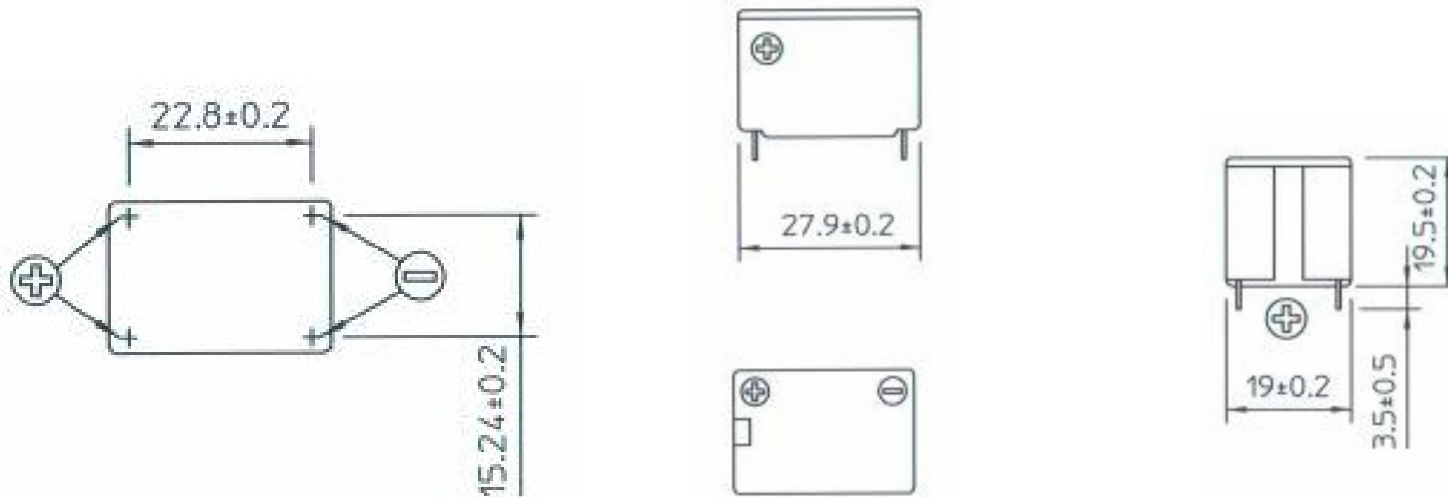


40 RF 225 ref 803007



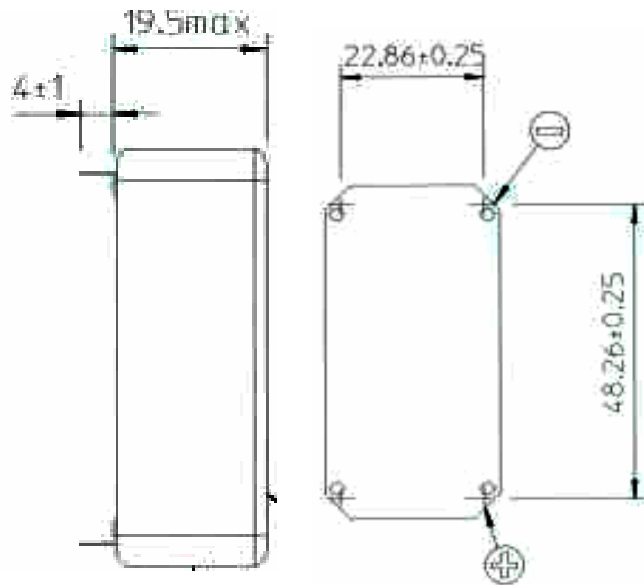
40 RF 325 ref 802775

RH 208/308 : Drawings

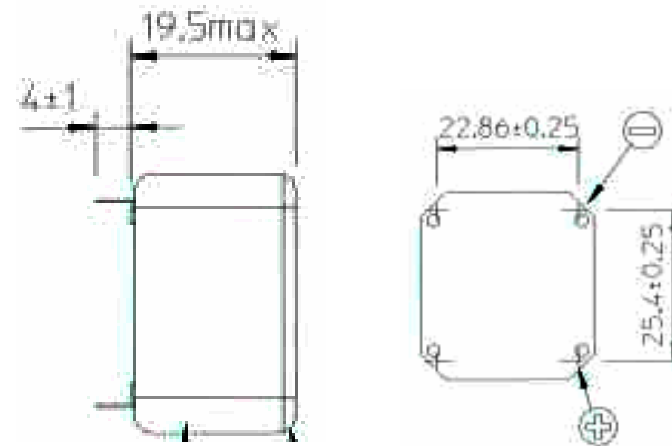


40 RH 308 ref 802820

RM 225/425: Drawings

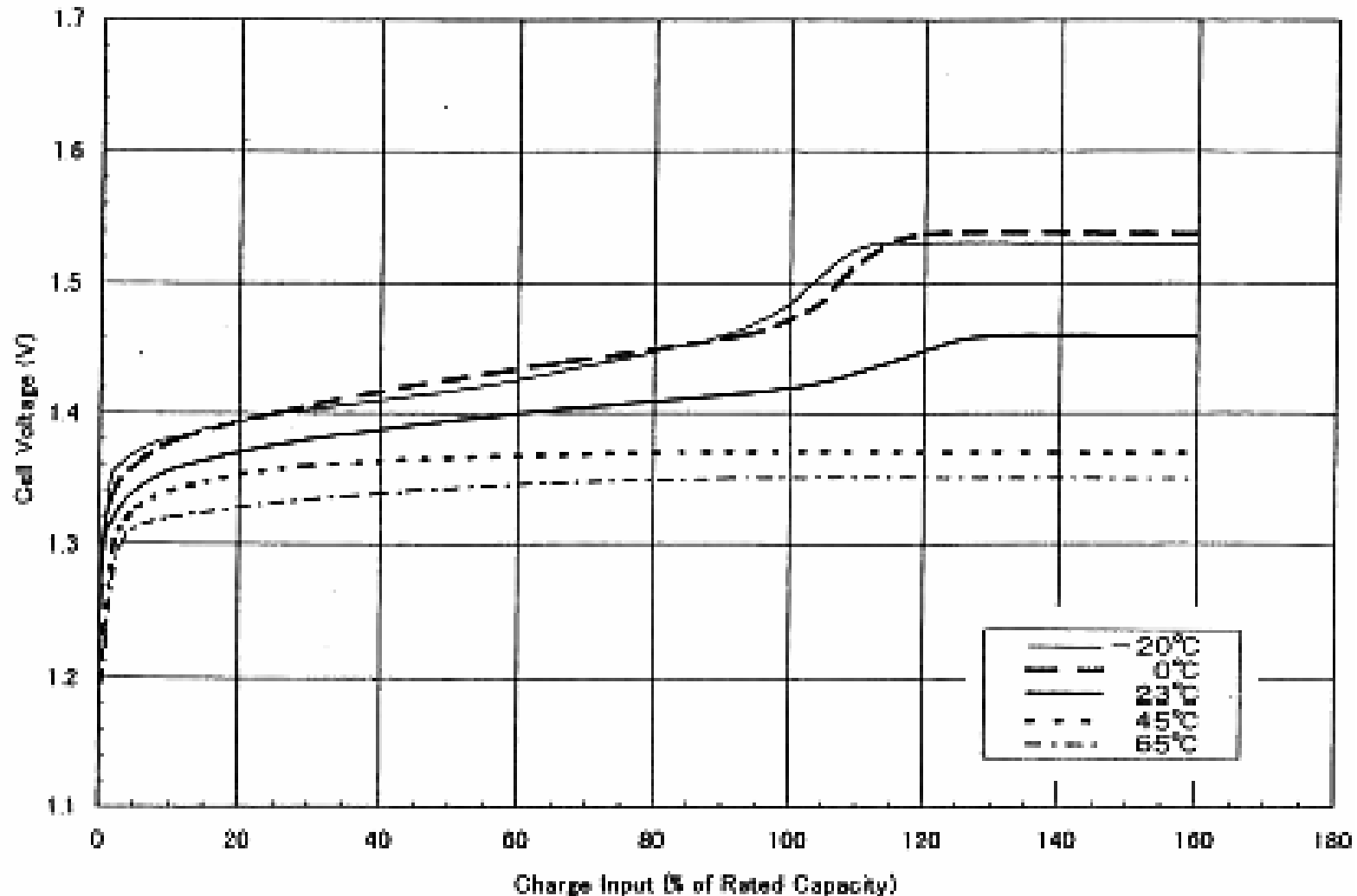


40 RM 425 ref 802843

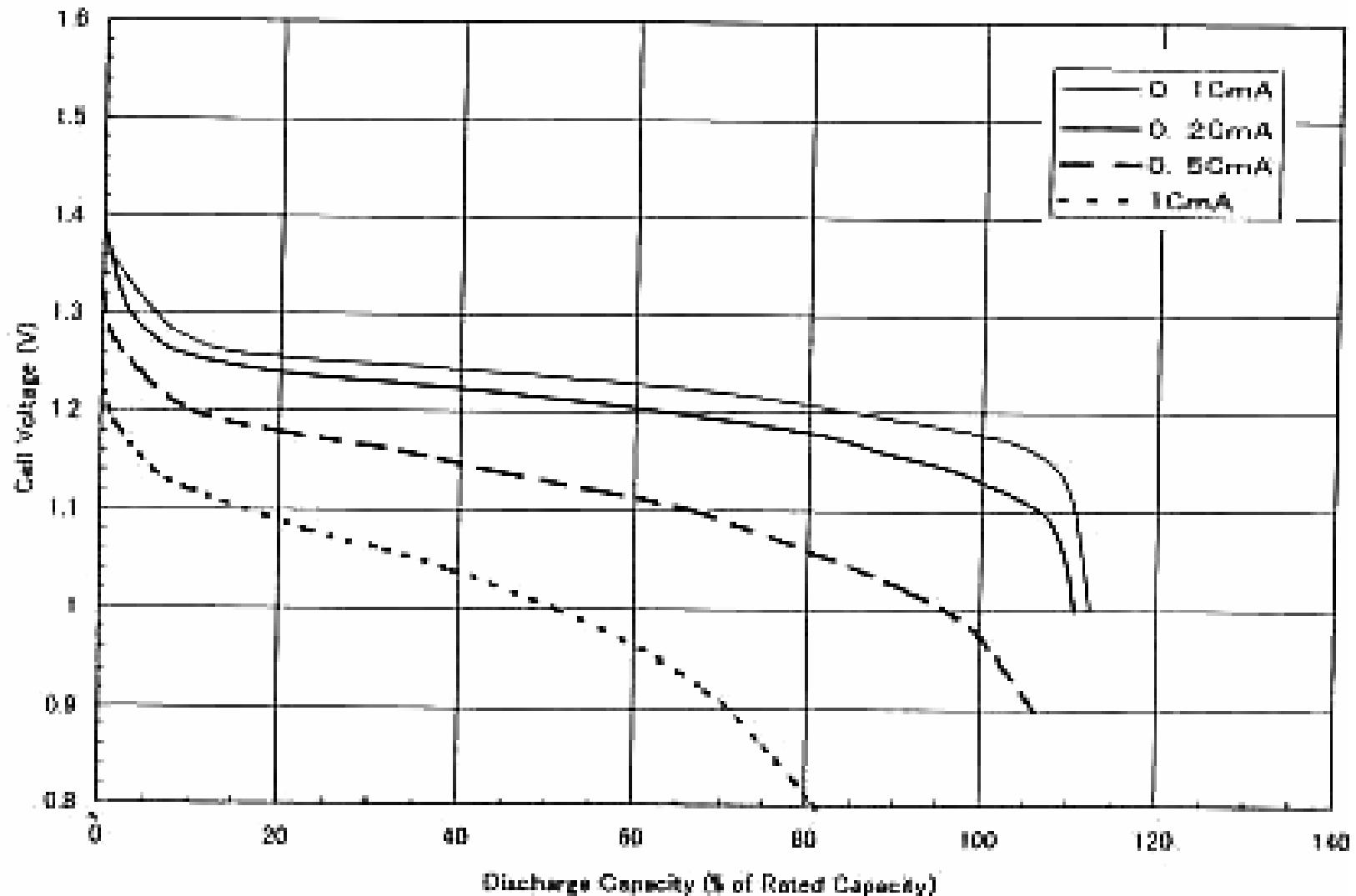


40 RM 225 ref 802821

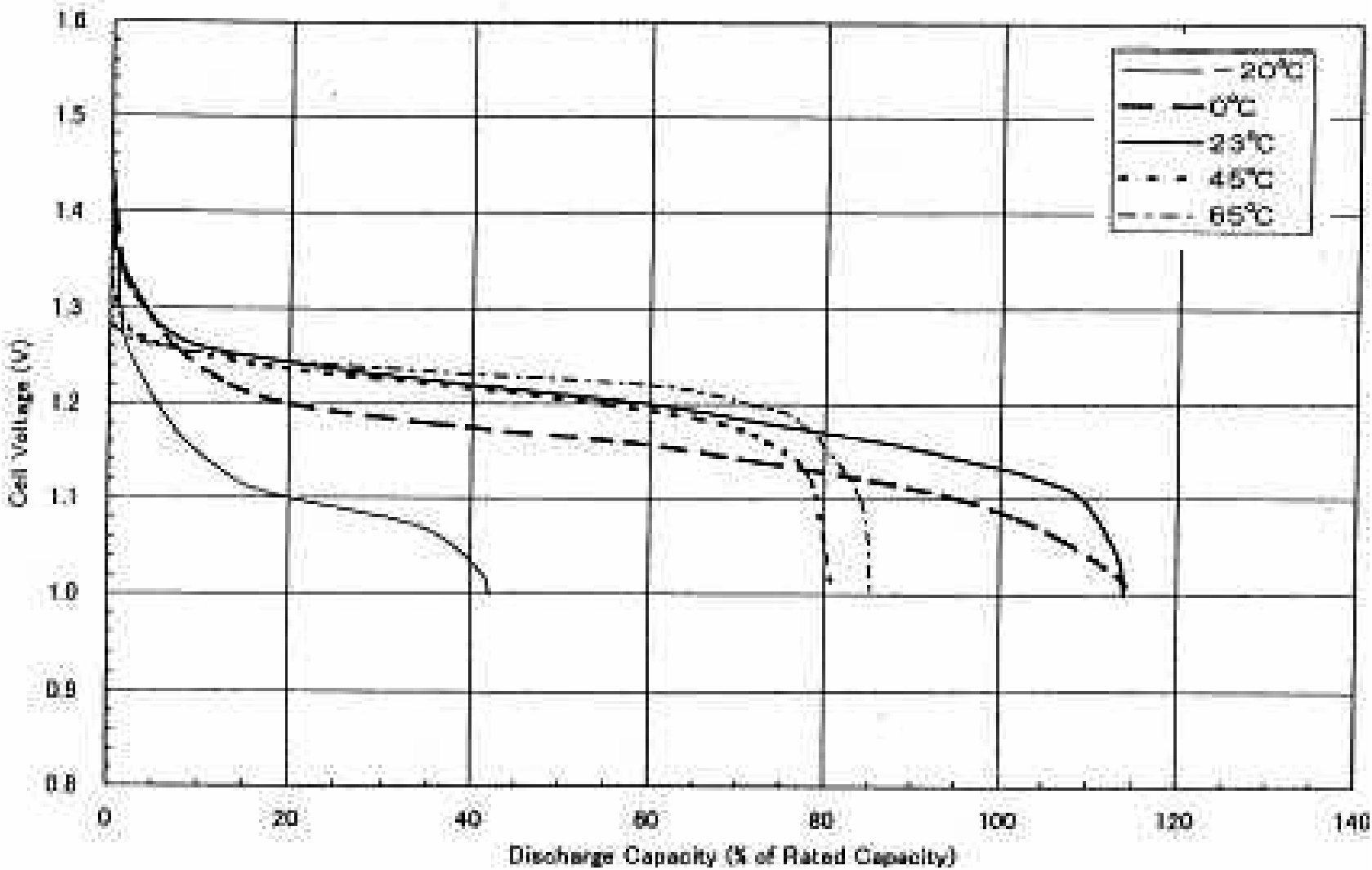
HB 80: Charge at 0.1C During 16h at Different Temperature (-20°C;0°C;23°C;45°C;65°C)



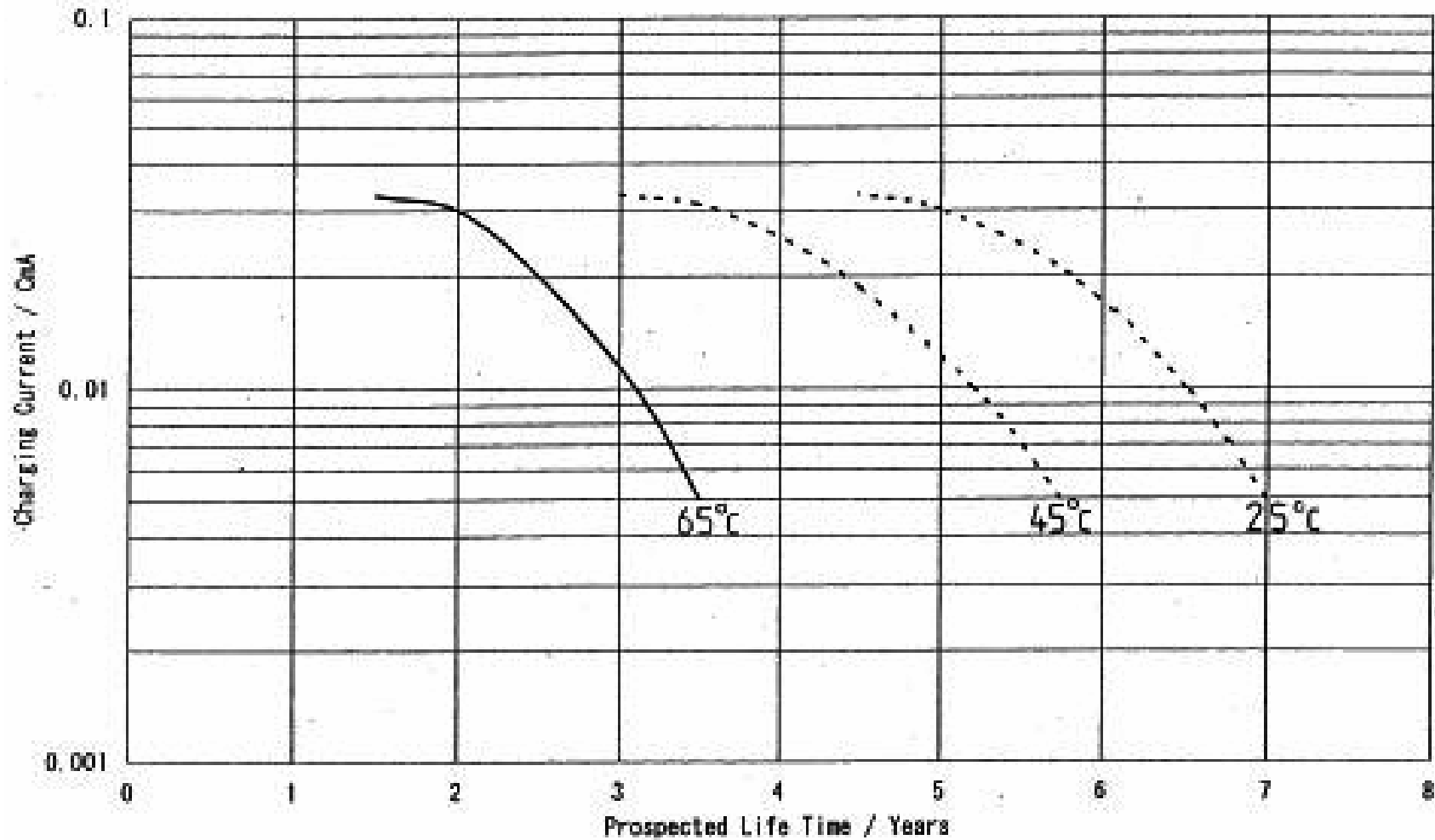
HB 80: Discharge of at Different Discharge Rate at RT after Charge 16h at 0.1C



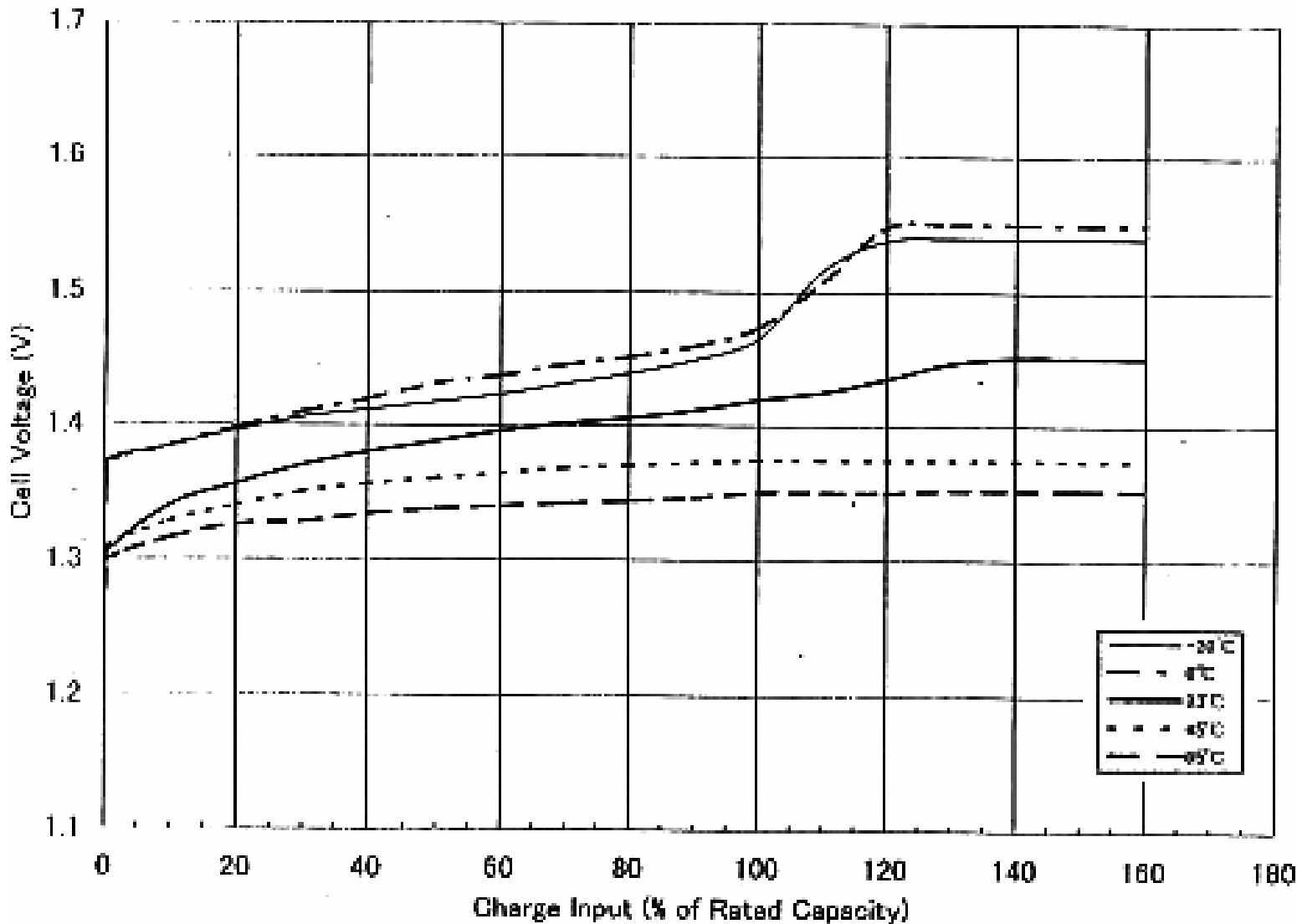
HB 80: Discharge at 0.2C at Different Temperature after Charge 16h at 0.1C



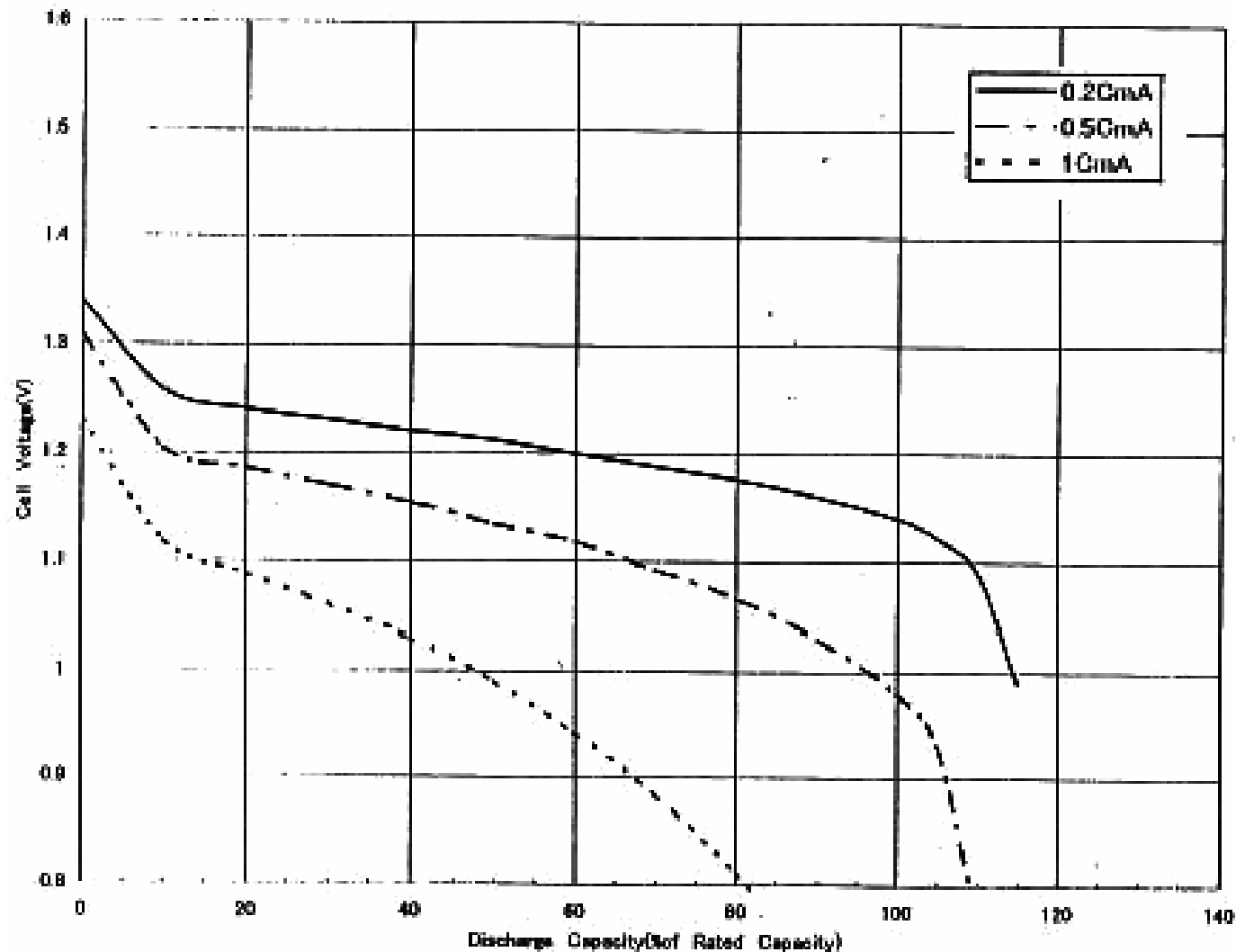
HB 80: Prospected Life Time (years) according Continuous Charging Current



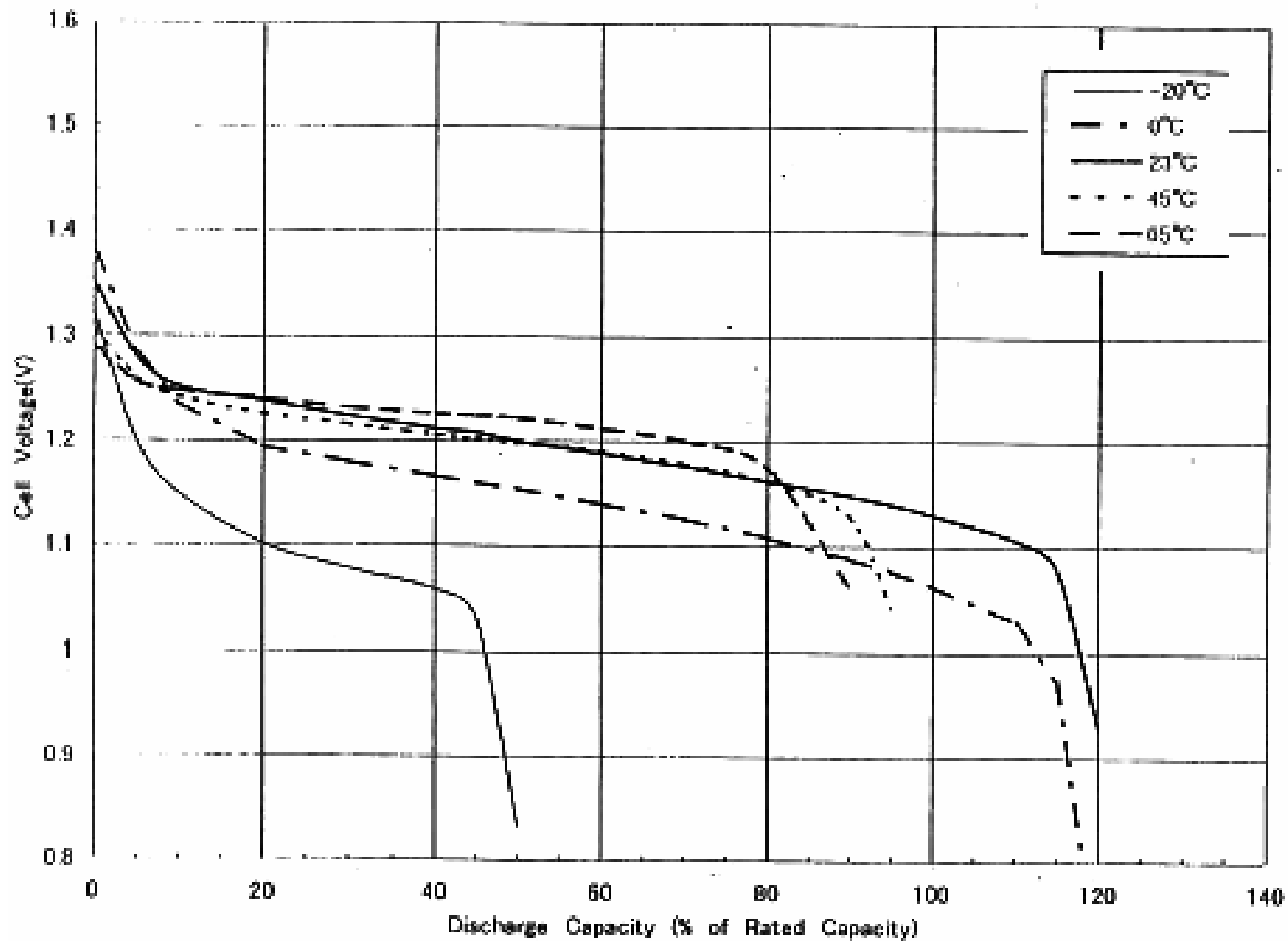
HB 250: Charge at 0.1C During 16h at Different Temperature (-20°C;0°C;23°C;45°C;65°C)



HB 250: Discharge of at Different Discharge Rate at RT after Charge 16h at 0.1C



HB 80: Discharge at 0.2C at Different Temperature after Charge 16h at 0.1C



HB 250: Prospected Life Time (years) according Continuous Charging Current

